



Publication number: **0 590 790 A2**

EUROPEAN PATENT APPLICATION

Application number: 93306755.5

Int. Cl.⁵: H03H 17/02

Date of filing: 25.08.93

Priority: 28.09.92 JP 282440/92

Date of publication of application: 06.04.94 Bulletin 94/14

Designated Contracting States: DE FR GB

Applicant: SONY CORPORATION
6-7-35 Kitashinagawa Shinagawa-ku
Tokyo 141 (JP)

Inventor: Sonohara, Mito, c/o Intellectual Prop. Division
Sony Corporation, 6-7-35 Kitashinagawa Shinagawa-ku, Tokyo 141 (JP)
Inventor: Tsutsui, Kyoya, c/o Intellectual Prop. Division
Sony Corporation, 6-7-35 Kitashinagawa Shinagawa-ku, Tokyo 141 (JP)

Representative: Harris, Ian Richard et al
c/o D. Young & Co., 21 New Fetter Lane
London EC4A 1DA (GB)

Modified DCT signal transforming system.

An MDCT calculating circuit includes an x_{01} calculating circuit for multiplying input signals with a forward transforming window and a linear forward transforming unit for linear forward transforming an output signal of the calculating circuit. The linear forward transforming unit includes an x_{02} calculating circuit and an integration and summation processing circuit for executing integration and summation processing operations on an output signal of the pre-processing unit. The integration and summation processing circuit executes an integration and summation operation on an $N/2$ number of input signals from the pre-processing unit by grouping a k number of input signals as a processing unit and iteratively executes the integration and summation processing operations a $N/(2 \cdot k)$ number of times for outputting a sum total of $N/2$ number of signals.

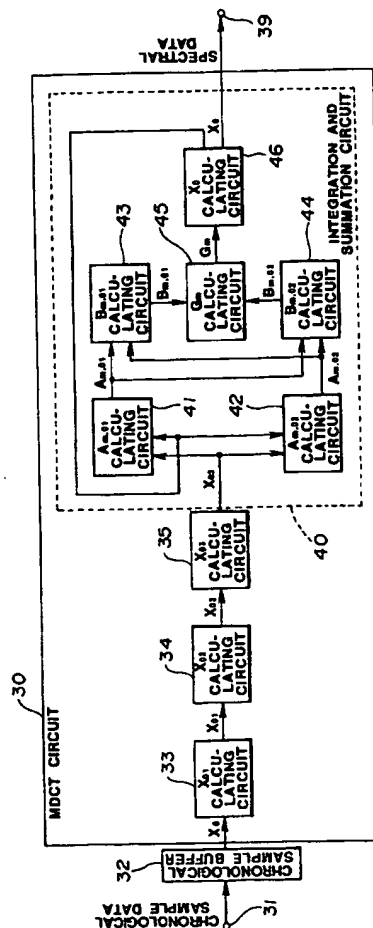


FIG.1

This invention relates to a modified MDCT signal transforming device for executing fast calculation of linear transformation on digital signals such as speech, audio or picture signals.

There has hitherto been known a transform encoding employing a so-called orthogonal transform as a type of the high efficiency encoding of encoding chronological sampling data such as audio signals by high-efficiency bit compression. The transform encoding means encoding after block-based orthogonal transform of input signals. Typical of the transform encoding is a discrete cosine transform (DCT). Such transform encoding suffers from a problem of block distortion in which non-continuous block-to-block transitions are perceived as noises. The conventional practice for coping with such problem has been to have an end of a block overlapped with an adjacent block. According to a modified DCT (MDCT), a given block is overlapped with both adjacent blocks each by one-half a block size in such a manner as to preclude superfluous transmission of samples of overlapped portions. Thus the MDCT is highly suitable for high efficiency encoding.

Such MDCT and IMDCT, which is its inverse transformation, are disclosed in "Filter Constraints in Hybrid MDCT Containing Plural Block Sizes" by Mochizuki, Yano and Nishiya in SHINGAKU-GIHO, CAS 90-10, DSP90-14, pages 55 to 60 and in "Adaptive Transform Encoding with Adaptive Block Lengths Using MDCT" by Uzu, Sugiyama, Iwatare and Nishiya in Extended Abstracts in Spring Meeting of Japan Society of Electronic Information Communication 1990, A-197. The above-mentioned MDCT and IMDCT are explained briefly by referring to Fig. 1.

Referring to Fig. 1, a given block of chronological sampling data, such as Jth block, has an overlap with the (J-1)th block and the (J+1)th block each by a half block (50% overlap). If the number of samples of the Jth block is n, N being a natural number, there is an overlap of N/2 samples between the Jth block and the (J - 1)th block, while there is similarly an overlap of N/2 samples between the Jth block and the (J + 1)th block. Each of N samples of each of these blocks, such as the above-mentioned Jth block, is multiplied by a window Wh for forward transform or a pre-processing filter to produce an N number of chronological data 102.

The characteristics of the pre-processing filter or window Wh for orthogonal transform are selected depending on statistic properties of input signals so that power concentration of the transformed data will be maximum. By processing these N samples of the chronological data 102 by linear forward transformation by MDCT, an N/2 number of independent spectral data 103, that is one-half the number of input samples of the spectral data, are produced on the frequency domain. These N/2 number of the spectral data 103 are processed by inverse MDCT for producing an N number of chronological data 104 which are multiplied by a window Wf for executing inverse transform or a synthetic filter to produce chronological data 105. The resulting data are summed to output results of the forward and backward blocks to restore the original chronological input data.

Meanwhile, in practical processing operation of MDCT and IMDCT, a method for implementing fast operation using fast Fourier transform has been proposed in A research in MDCT System and Fast Operation" by Iwatare, Nishiya and Sugiyama, in SHINGAK-GIHO, CAS 90-9, DSP 90-13, pages 49 to 54. The same method has also been disclosed in JP Patent KOKAI Publication No.4-44099 (1992). The calculating method for MDCT and IMDCT disclosed therein is hereinafter explained.

The definition of MDCT is given by an equation (1).

$$y_0(k) = C_0 \sum_{n=0}^{N-1} x_0(n) h(n) \cos(\pi(2k+1)(2n+N/2+1)/(2N))$$

$$0 \leq k \leq N/2-1 \quad \dots (1)$$

In the above equation (1), x_0 is an MDCT input signal, N a block length, h a window function for forward transform, y_0 an MDCT output signal, C_0 a constant, n an integer of from 0 to N-1, and k an integer of from 0 to N/2-2. Since MDCT processing on sliced chronological data is executed independently for each of the blocks, the block number J is omitted. Meanwhile, since the value of C_0 is not critical in carrying out the calculation of MDCT, the following explanation is made on the assumption that $C_0 = 1$. For carrying out the operation, x_0 is multiplied by a window for forward transform to find x_{01} , as indicated by the equation (2).

$$x_{01}(n) = x_0(n)h(n) \quad 0 \leq n \leq N-1 \quad (2)$$

From x_{01} , as found from equation (2), x_{02} is calculated in accordance with equation (3).

$$x_{02}(n) = \begin{cases} -x_{01}(n+3N/4) & 0 \leq n \leq N/4-1 \\ x_{01}(n-N/4) & N/4 \leq n \leq N-1 \end{cases} \dots (3)$$

5

x_{03} is calculated in accordance with equation (4).

$$x_{03}(n) = x_{02}(2n) - x_{02}(N-1-2n) \quad 0 \leq n \leq N/2-1 \quad (4)$$

Then, x_{03} is multiplied by a coefficient as shown by the equation (5) to produce a series of complex number signals z_{01} .

10

$$z_{01}(n) = x_{03}(2n)\exp(-j2\pi n/N) \quad 0 \leq n \leq N/2-1 \quad (5)$$

This signal series is processed with FFT having a length of $N/2$ to produce a series of complex number signals z_{02} shown by the equation (6).

15

$$z_{02}(k) = \sum_{n=0}^{N/2-1} z_{01}(n) \exp(-j2\pi kn/(N/2))$$

$$0 \leq k \leq N/2-1 \quad \dots (6)$$

20

y_{01} is calculated from the produced series of complex number signals, as indicated by the following equation (7).

$$y_{01}(k) = \text{Re}(z_{02}(k)\exp(-j2\pi(k+1/2)/(2N))) \quad 0 \leq k \leq N/2-1 \quad (7)$$

25

The above is coincident with y_0 defined by the equation (1), as demonstrated by the above-cited Research Concerning MDCT System and Fast calculation.

On the other hand, definition of IMDCT is given by an equation (8).

30

$$x_1(n) = C_1 f(n) \sum_{k=0}^{N/2-1} y_1(k) \cos(\pi(2k+1)(2n+N/2+1)/(2N))$$

$$0 \leq n \leq N-1 \quad \dots (8)$$

35

In the above equation (8), y_1 is an IMDCT input signal, N a block length, m a block number, f a window function for inverse transformation, x_1 is an IMDCT output signal, C_1 is a constant, n an integer of from 0 to $N-1$ and k an integer of from 0 to $N/2-1$. Since IMDCT processing on sliced chronological data is executed independently for each of the blocks, the block number J is omitted. Meanwhile, since the value of C_0 is not critical in carrying out the calculation of MDCT, the following explanation is made on the assumption that $C_0 = 1$. For carrying out the calculation, y_1 is re-arranged in accordance with the following equation (9) to produce y_{11} :

40

45

$$y_{11}(k) = \begin{cases} y_1(2k) & 0 \leq k \leq N/4-1 \\ -y_1(N-1-2k) & N/4 \leq k \leq N/2-1 \end{cases}$$

$$\dots (9)$$

50

y_{11} is then multiplied by a coefficient as shown by the equation (10) to produce a series of complex number signals z_{11} :

$$z_{11}(k) = y_{11}(k)\exp(-j2\pi k/N) \quad 0 \leq k \leq N/2-1 \quad (10)$$

The complex number signal series is processed by inverse FFT over a length $N/2$ to produce a series of complex number signals z_{12} by the equation (11):

55

$$z_{12}(n) = \sum_{k=0}^{N/2-1} z_{11}(k) \exp(j2\pi nk / (N/2))$$

5

$$0 \leq n \leq N/2-1 \quad \dots (11)$$

The complex number signal series z_{12} thus formed is multiplied by a coefficient as shown by the equation (12) and a real number part is taken out to produce x_{11} :

$$x_{11}(n) = \operatorname{Re}(2z_{12}(n) \exp(-j2\pi(n+1/2)/(2N))) \quad 0 \leq n \leq N/2-1 \quad (12)$$

This x_{11} is re-arrayed, while changing its sign, as indicated by the equation (13), and is multiplied by inverse transforming window.

15

$$x_{12}(n) = \begin{cases} f(n)x_{11}(n+N/4) & 0 \leq n \leq N/4-1 \\ -f(n)x_{11}(3N/4-1-n) & N/4 \leq n \leq 3N/4-1 \\ -f(n)x_{11}(n-3N/4) & 3N/4 \leq n \leq N/2-1 \end{cases} \quad \dots (13)$$

20

The above is coincident with y_0 defined by the equation (8), as demonstrated by the above-cited Research Concerning MDCT System and Fast calculation.

However, since the fast processing of MDCT for finding the spectrum for each domain having a length N and IMDCT which is its inverse operation are carried out with the present method using a complex number FFT having a length $N/2$, the $N/4 \log(N/2)$ times of multiplication of complex numbers, the $N/4 \log(N/2)$ times of addition of complex numbers and a work area for storing $N/2$ number of complex numbers are required if the algorithm as described above all in pp. 196 to 198 of "Fast Fourier Transform", by E. ORAN BRINGHAM, translated by Miyagawa and Imai, Theory of Base 2 FFT Algorithm, is used, meaning that the method cannot be said to be sufficiently effective if it is attempted to carry out fast processing by a small-scale processing unit.

30

Various aspects of the invention are set out in claims 1 and 8 appended hereto. Preferred features are set out in the dependent claims.

An embodiment of the present invention can provide a signal processing method by modified DCT in which the operation of the modified DCT and IMDCT, its inverse transform, may be realized by integration and summation based on a K number of terms as a processing unit with the use of a small-sized processing unit.

35

An embodiment of the invention provides a modified DCT signal transforming device for processing an N number of sample input signals, comprising a forward transforming window unit for multiplying input signals with a forward transforming window and a linear forward transforming unit for linear forward transforming output signals of said forward transforming window unit, characterized in that the linear forward transforming unit comprises a pre-processing section for pre-processing the output signals of the forward transforming window unit and an integration and summation processing section for executing integrating and summation processing operations on output signals of the pre-processing section, the integration and summation processing section executing integration and summation processing operations on an $N/2$ number of input signals supplied from the pre-processing section, the $N/2$ number of the input signals being previously grouped into sets each consisting of a K number of terms, said integration and summation operations being iteratively executed an $N/(2 \cdot K)$ number of times for outputting a sum total of $N/2$ number of signals.

45

It is noted that K in the convolution unit is a power of 2 and is not less than 4.

The pre-processing unit outputs, with an N number of samples of input signals of from 0 to $(N-1)$, obtained on multiplying the forward transforming windows in the forward transforming window section, the $n + 3N/4$ th input signal inverted in sign as the n th intermediate signal for n of from 0 to $N/4-1$, and an $n - N/4$ th input signal as the n th intermediate signal for n of from $N/4$ to $N-1$. With an N number of samples of intermediate signals of from 0 to $(N-1)$, the pre-processing unit outputs the $2n$ -th intermediate signal less the $N-1-2n$ -th intermediate signal as an n th output signal.

50

The integration and summation processing unit decreases the number of times of the processing operations by grouping an $N/2$ number of input signals supplied from the pre-processing unit into sets each consisting of a K number of terms, based on periodicity, for outputting the $N/2$ number of the signals.

55

The integration and summation processing unit performs, on an $N/2$ number of input signals supplied from the pre-processing unit, a series of processing operations for m of from 0 to $N/(2K)-1$ until the number of output

signals becomes equal to $N/2$. The series of the processing operations consists in providing, as a j th first intermediate signal, a sum for l s of from 0 to $N/2-1$ of a product of the $(Kl+j)$ th input signal multiplied by $\cos(\pi(2m+1)(4K+1)/(2N))$, for j of from 0 to $K-1$, providing, as a j th first intermediate signal, a sum for l s of from 0 to $N/2-1$ of a product of the $(K(l-1)+j)$ th input signal multiplied by $\sin(\pi(2m+1)(4Kl+1)/(2N))$, for j of from K to $(2K-1)$, providing, as a j th second intermediate signal, a sum of the j th first intermediate signal multiplied by $-\cos(2\pi(2m+1)(j/N))$ and the $(j-K)$ th first intermediate signal multiplied by $-\sin(2\pi(2m+1)(j/N))$, for j of from K to $K-1$, providing, as a j th second intermediate signal, a sum of the $(j-K)$ th first intermediate signal multiplied by $-\sin(2\pi(2m+1)(j-K)/N)$ and the j th first intermediate signal multiplied by $-\cos(2\pi(2m+1)(j-K)/N)$, for j of from K to $2K-1$, providing, as a k -th third intermediate signal, a sum of the j th second intermediate signal multiplied by $\cos(2\pi Jk(4j+1)/(4K))$, for j of from 0 to $K-1$, providing, as the k -th third intermediate signal, a sum of the j th second intermediate signal multiplied by $\sin(2\pi k(4(j-K)+1)/(4K))$, for k of from K to $(2K-1)$, and providing, as a $(m+kN/(2K))$ th output signal, a sum of the k -th third intermediate signal and a $(m+kN/(2K))$ th third intermediate signal, for k of from 0 to $K-1$.

The integration and summation processing unit performs a processing operation of computing an output signal of the integration and summation processing unit from the second intermediate signal by a processing volume reduced by one half by grouping the second intermediate signals by each two terms by taking advantage of periodicity so that the number of output signals becomes equal to $N/2$.

The integration and summation processing unit performs a processing operation of computing an output signal of the integration and summation processing unit from the second intermediate signal by a processing volume reduced by one quarter by grouping the second intermediate signals each by four terms by taking advantage of periodicity so that the number of output signals becomes equal to $N/2$.

A modified DCT signal processing device for processing an $N/2$ number of independent input signals, comprising a linear inverse transforming unit for linear inverse transform of input signals, and an inverse transforming window unit for multiplying an output signal of the linear inverse transform unit by an inverse transforming window, wherein the linear inverse transforming unit comprises a pre-processing unit for pre-processing an input signal, an integration and summation processing unit for executing an integration and summation processing operations on an output signal of said pre-processing unit, and a post-processing unit for post-processing an output signal of the integration and summation processing unit, the integration and summation processing unit executing the integration and summation operations on the $N/2$ number of input signals supplied from the pre-processing unit by grouping the input signal by a K number of terms, and executing the operations iteratively by $N/(2*K)$ number of times for outputting a sum total of an $N/2$ number of signals.

In the integration and summation processing section, K is a power of 2 which is not less than 4.

The pre-processing unit outputs a signal equivalent to a k -th output signal which is the $2k$ -th input signal for values of k of from 0 to $N/4-1$ and a signal equivalent to a k -th output signal which is the $(N-1-2k)$ th input signal inverted in sign for values of k of from $N/4$ to $N/2-1$.

The integration and summation processing unit decreases the number of times of processing operations for integration and summation processing of $N/2$ number of input signals supplied from the pre-processing unit based on periodicity for outputting said $N/2$ number of signals.

The integration and summation processing unit performs, on an $N/2$ number of input signals supplied from the pre-processing unit, a series of processing operations for m of from 0 to $N/(2K)-1$ until the number of output signals becomes equal to $N/2$. The series of the processing operations consists in providing, as a j th first intermediate signal, a sum for l s of from 0 to $N/2-1$ of a product of the $(Kl+j)$ th input signal multiplied by $\cos(\pi(2m+1)(4K+1)/(2N))$, for j of from 0 to $K-1$, providing, as a j th first intermediate signal, a sum for l s of from 0 to $N/2-1$ of a product of the $(K(l-1)+j)$ th input signal multiplied by $\sin(\pi(2m+1)(4Kl+1)/(2N))$, for j of from K to $(2K-1)$, providing, as a j th second intermediate signal, a sum of the j th first intermediate signal multiplied by $-\cos(2\pi(2m+1)(j/N))$ and the $(j-K)$ th first intermediate signal multiplied by $-\sin(2\pi(2m+1)(j/N))$, for j of from K to $K-1$, providing, as a j th second intermediate signal, a sum of the $(j-K)$ th first intermediate signal multiplied by $-\sin(2\pi(2m+1)(j-K)/N)$ and the j th first intermediate signal multiplied by $-\cos(2\pi(2m+1)(j-K)/N)$, for j of from K to $2K-1$, providing, as a k -th third intermediate signal, a sum of the j th second intermediate signal multiplied by $\cos(2\pi Jk(4j+1)/(4K))$, for j of from 0 to $K-1$, providing, as the k -th third intermediate signal, a sum of the j th second intermediate signal multiplied by $\sin(2\pi k(4(j-K)+1)/(4K))$, for k of from K to $(2K-1)$, and providing, as a $(m+kN/(2K))$ th output signal, a sum of the k -th third intermediate signal and a $(m+kN/(2K))$ th third intermediate signal, for k of from 0 to $K-1$.

The integration and summation processing unit performs a processing operation of computing an output signal of the integration and summation processing unit from the second intermediate signal by a processing volume reduced by one half by grouping the second intermediate signals by each two terms by taking advantage of periodicity so that the number of output signals becomes equal to $N/2$.

The integration and summation processing unit performs a processing operation of computing an output

signal of the integration and summation processing unit from the second intermediate signal by a processing volume reduced by one quarter by grouping the second intermediate signals by each four terms by taking advantage of periodicity so that the number of output signals becomes equal to $N/2$.

5 The pre-processing unit outputs a signal equivalent to an $(n+N/4)$ th input signal for the value of n of from 0 to $N/4-1$, a signal equivalent to a $3N/4-1-n$ th input signal reversed in sign for values of n of from $N/4$ to $3N/4-1$ and a signal equivalent to an $n-3N/4$ th input signal reversed in sign for values of n of from $3N/4-1$ to $N/4-1$.

10 In an embodiment of the invention, the integration and summation processing unit in the linear forward transforming unit or in the linear inverse transforming unit performs an integration and summation processing operations on an $N/2$ number of input signals outputted from the pre-processing unit by grouping the input signals by a K number of terms and performing the operations iteratively by an $N/(2 \cdot K)$ number of times for producing a sum total of $N/2$ signals, for simplifying the constitution.

The invention will be described hereinafter, by way of example only, with reference to the accompanying drawings, in which:

15 Fig.1 is a diagrammatic view showing the operating sequence of modified DCT or MDCT operations and an inverse MDCT or IMDCT operations.

Fig.2 is a block circuit diagram showing an arrangement for realizing an MDCT signal transforming method according to an illustrated embodiment.

Fig.3 is a block circuit diagram showing an arrangement for carrying out the IMDCT signal transforming method according to an illustrated embodiment.

20 Fig.4 is a flow chart showing the process steps of a basic embodiment of an MDCT signal transforming method according to an illustrated embodiment.

Fig.5 is a flow chart showing the process steps of a basic embodiment of an IMDCT signal transforming method according to an illustrated embodiment.

25 Fig.6 is a block circuit diagram showing an example of a circuit of a high efficiency encoding device for carrying out the MDCT signal transforming method according to the illustrated embodiment.

Fig.7 is a block circuit diagram showing an example of a circuit of a high efficiency decoding device for carrying out the IMDCT signal transforming method according to the illustrated embodiment.

Referring to the drawings, preferred embodiments of the signal transforming device by the modified DCT is explained in detail.

30 Specifically, the signal transforming device by MDCT of the illustrated embodiment (MDCT processing circuit 30) has an arrangement as shown in Fig.2, while the signal transforming device by IMDCT (IMDCT processing circuit 50) has an arrangement as shown in Fig.3. Before proceeding to description of the signal transforming devices by MDCT and IMDCT of the embodiments shown in Figs.2 and 3, the basic principle of the signal processing method (signal transforming method) applied to these devices is explained.

35 With the signal processing method applied to the device of the present embodiment, a coefficient table shown by the following equations (14) to (16) is provided for an integer m which is not less than 0 and not more than $(N/(2K)-1)$:

$$a_{m,1} = \cos(\pi(2n+1)(4K+1)/(2N)) \quad 0 \leq 1 \leq N/2 - 1 \quad (14)$$

$$b_{m,1} = \sin(\pi(2m+1)(4K+1)/(2N))$$

40 $c_{m,1} = \cos(2\pi(2m+1)j/N) \quad 0 \leq j \leq K-1 \quad (15)$

$$d_{m,1} = \sin(2\pi(2m+1)j/N)$$

$$e_{k,j} = \cos(2\pi k(4j+1)/(4K)) \quad 0 \leq j \leq K/4 - 1 \quad (16)$$

$$f_{k,j} = \sin(2\pi k(4j+1)/(4K))$$

45 For integers m which is not less than 0 and no more than $(N/(2K)-1)$, the following calculation is made repeatedly.

First, using the coefficients of the equation (14), a K number of signals $A_{0,1}$, as given by the equation (17), and a K number of signals $A_{0,2}$, as given by the equation (18), are calculated from $x_{0,3}$ of the equation (4).

50
$$A_{m,0,1}(j) = \sum_{l=0}^{N/(2K)-1} a_{m,1} x_{0,3}(Kl+j)$$

$$0 \leq j \leq K-1 \quad \dots (17)$$

55

$$A_{m,02}(j) = \sum_{l=0}^{N/(2K)-1} b_{m,1} X_{03}(Kl+j)$$

5

$$0 \leq j \leq K-1 \quad \dots (18)$$

Then, from the coefficient of the equation (15) and from these signals A_{01} , A_{02} , two signal trains or rows B_{01} , B_{02} , each being of a length K , are calculated as shown by the equations (19) and (20).

$$B_{m,01}(j) = c_{mj} A_{m,01}(j) - d_{mj} A_{m,02}(j) \quad 0 \leq j \leq K-1 \quad (19)$$

$$B_{m,02}(j) = -d_{mj} A_{m,01}(j) - c_{mj} A_{m,02}(j) \quad 0 \leq j \leq K-1 \quad (20)$$

Using the coefficients of the equation (16) and B_{01} , B_{02} , a K number of signals X_0 are obtained, as shown by the equation (21).

15

$$X_0(m+kN/(2K)) = \sum_{j=0}^{K-1} e_{k,j} B_{m,01}(j) + \sum_{j=0}^{K-1} f_{k,j} B_{m,02}(j)$$

20

$$0 \leq m \leq N/(2K)-1$$

$$0 \leq k \leq K-1 \quad \dots (21)$$

25

This is coincident with y_0 as y_0 defined by the equation (1), as may be seen from the following: First, from the relationship of the equations (1), (2), (3) and (4), the equation (22) holds:

30

$$y_0(k) = \sum_{n=0}^{N-1} x_{01}(n) \cos(2\pi(2k+1)(4n+N+2)/(8N))$$

35

$$= \sum_{n=N/4}^{5N/4-1} x_{01}(n-N/4) \cos(2\pi(2k+1)(4(n-N/4)+N+2)/(8N))$$

40

45

50

55

$$= \sum_{n=N/4}^{N-1} x_{01}(n-N/4) \cos(2\pi(2k+1)(2n+1)/(4N))$$

5

$$+ \sum_{n=N}^{5N/4-1} x_{01}(n-N/4) \cos(2\pi(2k+1)(2n+1)/(4N))$$

10

$$= \sum_{n=N/4}^{N-1} x_{01}(n-N/4) \cos(2\pi(2k+1)(2n+1)/(4N))$$

15

$$+ \sum_{n=N}^{N/4-1} x_{01}(n+3N/4) \cos(2\pi(2k+1)(2(n+k)+1)/(4N))$$

20

$$= \sum_{n=N/4}^{N-1} x_{01}(n-N/4) \cos(2\pi(2k+1)(2n+1)/(4N))$$

25

$$- \sum_{n=N}^{N/4-1} x_{01}(n+3N/4) \cos(2\pi(2k+1)(2n+1)/(4N))$$

30

$$= \sum_{n=0}^{N-1} x_{02}(n) \cos(2\pi(2k+1)(2n+1)/(4N))$$

35

$$= \sum_{n=0}^{N/2-1} x_{02}(2n) \cos(2\pi(2k+1)(4n+1)/(4N))$$

40

$$+ \sum_{n=0}^{N/2-1} x_{02}(2n+1) \cos(2\pi(2k+1)(2(2n+1)+1)/(4N))$$

45

$$= \sum_{n=0}^{N/2-1} x_{02}(2n) \cos(2\pi(2k+1)(4n+1)/(4N))$$

50

55

$$+ \sum_{n=0}^{N/2-1} x_{02}(N-1-2n) \cos(2\pi(2k+1)(2N-1-4n)/(4N))$$

5

$$= \sum_{n=0}^{N/2-1} x_{02}(2n) \cos(2\pi(2k+1)(4n+1)/(4N))$$

10

$$- \sum_{n=0}^{N/2-1} x_{02}(N-1-2n) \cos(2\pi(2k+1)(-1-4n)/(4N))$$

15

$$= \sum_{n=0}^{N/2-1} (x_{02}(2n) - x_{02}(N-1-2n)) \cos(2\pi(2k+1)(4n+1)/(4N))$$

20

$$= \sum_{n=0}^{N/2-1} x_{03}(n) \cos(2\pi(2k+1)(4n+1)/(4N))$$

25

... (22)

Modifying this, the equation (23) is derived.

30

$$y_0(m+kN/(2K)) = \sum_{l=0}^{N/2-1} x_{03}(l) \cos(\pi(m+2(kN/(2K))+1)(4l+1)/(2N))$$

35

$$= \sum_{l=0}^{N/2-1} x_{03}(l) \cos(\pi(2m+1)(4l+1)/(2N) + 2\pi k(4l+1)/(4K))$$

40

$$= \sum_{j=0}^{K-1} \sum_{l=0}^{N/(2K)-1} x_{03}(Kl+j) \cos(\pi(2m+1)(4(Kl+j)+1)/(2N)$$

45

$$+ 2\pi k(4(Kl+j)+1)/(4K))$$

50

55

$$= \sum_{j=0}^{K-1} \sum_{l=0}^{N/(2K)-1} x_{03}(Kl+j) \cos(\pi(2m+1)(4Kl+1)/(2N))$$

5

$$+ 2\pi(2m+1)j/N + 2\pi k(4j+1)/(4K)$$

10

$$= \sum_{j=0}^{K-1} \cos(2\pi(2m+1)j/N + 2\pi k(4j+1)/(4K))$$

15

$$\times \sum_{l=0}^{N/(2K)-1} x_{03}(Kl+j) \cos(\pi(2m+1)(4Kl+1)/(2N))$$

20

$$- \sum_{j=0}^{K-1} \sin(2\pi(2m+1)j/N + 2\pi k(4j+1)/(4K))$$

25

$$\times \sum_{l=0}^{N/(2K)-1} x_{03}(Kl+j) \sin(\pi(2m+1)(4Kl+1)/(2N))$$

30

$$0 \leq k \leq K-1 \quad \dots (23)$$

Using the equations (14), (15), (17) and (18), the equation (24) is derived.

$$y_0(m+kN/(2K)) = \sum_{j=0}^{K-1} \cos(2\pi(2m+1)j/N + 2\pi k(4j+1)/(4K)) A_{m,c1}(j)$$

40

$$- \sum_{j=0}^{K-1} \sin(2\pi(2m+1)j/N + 2\pi k(4j+1)/(4K)) A_{m,c2}(j)$$

45

$$= \sum_{j=0}^{K-1} \cos(2\pi(2m+1)j/N) \cos(2\pi k(4j+1)/(4K)) A_{m,c1}(j)$$

50

55

$$-\sum_{j=0}^{K-1} \sin(2\pi(2m+1)j/N) \sin(2\pi k(4j+1)/(4K)) A_{m,c1}(j)$$

5

$$-\sum_{j=0}^{K-1} \sin(2\pi(2m+1)j/N) \cos(2\pi k(4j+1)/(4K)) A_{m,c2}(j)$$

10

$$-\sum_{j=0}^{K-1} \cos(2\pi(2m+1)j/N) \sin(2\pi k(4j+1)/(4K)) A_{m,c2}(j)$$

15

$$= \sum_{j=0}^{K-1} c_{m,j} \cos(2\pi k(4j+1)/(4K)) A_{m,o1}(j)$$

20

$$-\sum_{j=0}^{K-1} d_{m,j} \sin(2\pi k(4j+1)/(4K)) A_{m,o1}(j)$$

25

$$-\sum_{j=0}^{K-1} d_{m,j} \cos(2\pi k(4j+1)/(4K)) A_{m,o2}(j)$$

30

$$-\sum_{j=0}^{K-1} c_{m,j} \sin(2\pi k(4j+1)/(4K)) A_{m,o2}(j)$$

35

$$= \sum_{j=0}^{K-1} \cos(2\pi k(4j+1)/(4K)) (c_{m,j} A_{m,o1}(j) - d_{m,j} A_{m,o2}(j))$$

40

$$+ \sum_{j=0}^{K-1} \sin(2\pi k(4j+1)/(4K)) (-d_{m,j} A_{m,o1}(j) - c_{m,j} A_{m,o2}(j))$$

45

$$= \sum_{j=0}^{K-1} \cos(2\pi k(4j+1)/(4K)) B_{m,o1}(j)$$

50

$$+ \sum_{j=0}^{K-1} \sin(2\pi k(4j+1)/(4K)) B_{m,o2}(j)$$

55

$$0 \leq k \leq K-1 \quad \dots (24)$$

From the equations (19) and (20), the equation (24) is changed to the equation (25).

$$y_0(m+kN/(2K)) = \sum_{j=0}^{K-1} e_{k,j} B_{m,01}(j) + \sum_{j=0}^{K-1} f_{k,j} B_{m,02}(j) \quad (25)$$

$0 \leq m \leq N/(2K)-1, 0 \leq k \leq K-1 \quad \dots$

This coincides with the equation (21) for the method embodying the present invention. It follows from this that the MDCT processing may be achieved with the method embodying the present invention.

If the periodicity of the equation (16) is utilized, the amount of convolution processing of the equation (21) may be reduced to one half or to a quarter.

That is, the coefficient of the equation (16) is modified to the form shown in Equations (26) and (27).

$$e_{2k+p,j+K/2} = \cos(2\pi(2k+p)(4(j+K/2)+1)/(4K))$$

$$= \cos(2\pi(2k+p)(4j+1)/(4K) + (2k+p)\pi)$$

$$= (-1)^p e_{2k+p,j} \quad p = 0, 1 \quad \dots (26)$$

$$f_{2k+p,j+K/2} = \sin(2\pi(2k+p)(4(j+K/2)+1)/(4K))$$

$$= \sin(2\pi(2k+p)(4j+1)/(4K) + (2k+p)\pi)$$

$$= (-1)^p f_{2k+p,j} \quad p = 0, 1 \quad \dots (27)$$

Therefore, as shown by equation (28), by setting, as shown by the equation (28),

$$E_{m,0}(j) = B_{m,01}(j) + B_{m,01}(j+K/2)$$

$$E_{m,1}(j) = B_{m,01}(j) - B_{m,01}(j+K/2)$$

$$F_{m,0}(j) = B_{m,02}(j) + B_{m,02}(j+K/2)$$

$$F_{m,1}(j) = B_{m,02}(j) - B_{m,02}(j+K/2)$$

$$0 \leq j \leq K/2 - 1 \quad (28)$$

x_0 is expressed as shown by the equation (29), so that the amount of integration and summation processing operations is halved.

$$X_0(m+(2k+p)N/(2K)) = \sum_{j=0}^{K/2-1} e_{2k+p,j} E_{m,p}(j) + \sum_{j=0}^{K/2-1} f_{2k+p,j} F_{m,p}(j)$$

$P = 0, 1 \quad 0 \leq m \leq N/(2K)-1, 0 \leq k \leq K/2-1 \quad \dots (29)$

Besides, since the coefficient of the equation (16) may also be expressed as shown by the equations (30), (31):

$$\begin{aligned}
 e_{4k+p, j+qk/4} &= \cos(2\pi(4k+p)(4(j+qK/4)+1)/(4K)) \\
 &= \cos(2\pi(4k+p)(4j+1)/(4K)+\rho q\pi/2); \\
 &= \cos(\rho q\pi/2)e_{4k+p, j} - \sin(\rho q\pi/2)f_{4k+p, j} \\
 \rho &= 0, 1, 2, 3, \quad q = 0, 1, 2, 3 \quad \dots (30)
 \end{aligned}$$

$$\begin{aligned}
 f_{4k+p, j+qk/4} &= \sin(2\pi(4k+p)(4(j+qK/4)+1)/(4K)) \\
 &= \sin(2\pi(4k+p)(4j+1)/(4K)+\rho q\pi/2) \\
 &= \sin(\rho q\pi/2)e_{4k+p, j} - \sin(\rho q\pi/2)f_{4k+p, j} \\
 \rho &= 0, 1, 2, 3, \quad q = 0, 1, 2, 3 \quad \dots (31)
 \end{aligned}$$

the equation (32) holds.

$$y_3(m+(4k+p)N/(2K)) = \sum_{j=0}^{\pi/4-1} \sum_{q=0}^3 e_{4k+p, j+qK/4} B_{m,01}(j+qK/4)$$

5

$$- \sum_{j=0}^{\pi/4-1} \sum_{q=0}^3 f_{4k+p, j+qK/4} B_{m,02}(j+qK/4)$$

10

$$= \sum_{j=0}^{\pi/4-1} \sum_{q=0}^3 (\cos(pq\pi/2) e_{4k+p, j}$$

15

$$- \sin(pq\pi/2) f_{4k+p, j}) B_{m,01}(j+qK/4)$$

20

$$- \sum_{j=0}^{\pi/4-1} \sum_{q=0}^3 (\sin(pq\pi/2) e_{4k+p, j}$$

25

$$+ \cos(pq\pi/2) f_{4k+p, j}) B_{m,02}(j+qK/4)$$

30

$$= \sum_{j=0}^{\pi/4-1} e_{4k+p, j} \sum_{q=0}^3 (\cos(pq\pi/2) B_{m,01}(j+qK/4)$$

$$- \sin(pq\pi/2) B_{m,02}(j+qK/4)$$

35

$$- \sum_{j=0}^{\pi/4-1} f_{4k+p, j} \sum_{q=0}^3 (\sin(pq\pi/2) B_{m,01}(j+qK/4)$$

40

$$+ \cos(pq\pi/2) B_{m,02}(j+qK/4))$$

$$0 \leq m \leq N/(2K)-1, 0 \leq k \leq K/4-1, p = 0, 1, 2, 3$$

45

... (32)

Since one of sine and cosine values in the equation (31) is ≤ 1 with the other value being 0, by setting so that, as shown in equation (33) and equation (34)

50

$$G_{m,0}(j) = B_{m,01}(j) + B_{m,01}(j+K/4) + B_{m,01}(j+2K/4) + M_{m,01}(j+3K/4)$$

$$G_{m,1}(j) = B_{m,01}(j) + B_{m,02}(j+K/4) - B_{m,01}(j+2K/4) - M_{m,01}(j+3K/4)$$

$$G_{m,2}(j) = B_{m,01}(j) - B_{m,01}(j+K/4) - B_{m,01}(j+2K/4) + M_{m,01}(j+3K/4)$$

$$G_{m,3}(j) = B_{m,01}(j) - B_{m,02}(j+K/4) - B_{m,01}(j+2K/4) + M_{m,02}(j+3K/4)$$

55

$$G_{m,0}(j+K/4) = B_{m,02}(j) + B_{m,02}(j+K/4) + B_{m,02}(j+2K/4) + M_{m,02}(j+3K/4)$$

$$G_{m,1}(j+K/4) = B_{m,02}(j) - B_{m,02}(j+K/4) - B_{m,02}(j+2K/4) + M_{m,01}(j+3K/4)$$

$$G_{m,2}(j+K/4) = B_{m,02}(j) - B_{m,02}(j+K/4) + B_{m,02}(j+2K/4) - M_{m,02}(j+3K/4)$$

$$G_{m,3}(j+K/4) = B_{m,02}(j) + B_{m,01}(j+K/4) - B_{m,02}(j+2K/4) - M_{m,02}(j+3K/4) \quad 0 \leq j \leq K/4 - 1 \quad (33)$$

$$g_{k,j} = \begin{cases} \cos(2\pi k(4j+1)/(4K)) & 0 \leq j \leq K/4-1 \\ \sin(2\pi k(4(j-K/4)+1)/(4K)) & K/4 \leq j \leq K/2-1 \end{cases} \dots (34)$$

5 the equation (35)

$$X_0(m+(4k+p)N/(2K)) = \sum_{j=0}^{K/2-1} g_{4k+p,j} G_{m,p}(j)$$

$$0 \leq k \leq K/4-1, p = 0, 1, 2, 3 \dots (35)$$

15 holds, so that the volume of the integration and summation operation of the equation (21) may be halved.
 Besides, in carrying out the operation of IMDCT with the signal processing method of the present invention, coefficient tables of the equations (14), (15) and (16), which are the same as those for MDCT, are used for integers m which are not less than 0 and not more than $(N/(2K)-1)$. The following operations are repeated for integers m which are not less than 0 and not more than $(N/(2K)-1)$.

20 First, using the coefficients of the equation (14), a K number of signals P_{01} as given by the equation (36)

$$P_{m,01}(j) = \sum_{l=0}^{N/(2K)-1} a_{m,l} y_{11}(Kl+j)$$

$$0 \leq j \leq K-1 \dots (36)$$

30 and a K number of signals P_{02} as given by the equation (37)

$$P_{m,02}(j) = \sum_{l=0}^{N/(2K)-1} b_{m,l} y_{11}(Kl+j)$$

$$0 \leq j \leq K-1 \dots (37)$$

40 are calculated from y_{11} of the equation (9).

Then, from the coefficients of equation (15) and from these signals P_{01} , P_{02} , two signal trains Q_{01} , Q_{02} , each having a length K, are calculated, as shown by the following equations (38), (39):

$$Q_{m,01}(j) = c_{m,j} P_{m,01}(j) - d_{m,j} A_{m,02}(j) \quad 0 \leq j \leq K-1 \quad (38)$$

$$Q_{m,02}(j) = -d_{m,j} P_{m,01}(j) - c_{m,j} A_{m,02}(j) \quad 0 \leq j \leq K-1 \quad (39)$$

45 Then, using the coefficients of equation (16) and B_{01} , B_{02} , a K number of signals W_0 are obtained, as shown by the equation (40):

$$W_0(m+kL/(2K)) = \sum_{j=0}^{K-1} e_{k,j} Q_{m,01}(j) + \sum_{j=0}^{K-1} f_{k,j} Q_{m,02}(j)$$

$$0 \leq m \leq N/(2K)-1, 0 \leq k \leq K-1 \dots (40)$$

55 These signals W_0 , obtained by the equation (40), are processed with a sign change, re-arranging and windowing for inverse transform, as shown by the equation (41), for calculating an N number of W_1 :

$$\begin{aligned}
 & f(n)w_0(n+N/4) & 0 \leq n \leq N/4-1 \\
 w_1(n) = & \begin{cases} -f(n)w_0(3N/4-1-n) & N/4 \leq n \leq 3N/4-1 \\ -f(n)w_0(n-3N/4) & 3N/4 \leq n \leq N/1 \end{cases} \\
 & \dots (41)
 \end{aligned}$$

This may be found to be coincident with x_1 defined by equation (8) as shown by the following. First, an equation (42) holds from the equations (8) and (9).

$$x_1(n-N/4) = C_1 f(n) \sum_{k=0}^{N/2-1} y_1(k) \cos(2\pi(k+1/2)(n+1/2)/N)$$

$$= C_1 f(n) \sum_{l=0}^{N/4-1} y(2l) \cos(2\pi(2l+1/2)(n+1/2)/N)$$

$$- \sum_{l=0}^{N/4-1} y(2l+1) \cos(2\pi(2l+1+1/2)(n+1/2)/N)$$

$$= C_1 f(n) \sum_{l=0}^{N/4-1} y(2l) \cos(2\pi(2l+1/2)(n+1/2)/N)$$

$$- \sum_{l=N/4}^{N/2-1} y(2l+1) \cos(2\pi(N-1-2l)(n+1/2)/N)$$

$$= C_1 f(n) \sum_{l=0}^{N/4-1} y(2l) \cos(2\pi(2l+1/2)(n+1/2)/N)$$

5

$$- \sum_{l=N/4}^{N/2-1} y(N-1-2l) \cos(2\pi(N-2l-1/2)(n+1/2)/N)$$

10

$$= C_1 f(n) \sum_{l=0}^{N/4-1} y(2l) \cos(2\pi(2l+1/2)(n+1/2)/N)$$

15

$$- \sum_{l=N/4}^{N/2-1} y(N-1-2l) \cos(2\pi(-2l-1/2)(n+1/2)/N)$$

20

$$= C_1 f(n) \sum_{l=0}^{N/4-1} y(2l) \cos(2\pi(2l+1/2)(n+1/2)/N)$$

25

$$- \sum_{l=N/4}^{N/2-1} y(N-1-2l) \cos(2\pi(2l+1/2)(n+1/2)/N)$$

30

$$= C_1 f(n) \sum_{l=0}^{N/4-1} y_{11}(l) \cos(2\pi(2l+1/2)(n+1/2)/N)$$

35

$$- \sum_{l=N/4}^{N/2-1} y_{11}(l) \cos(2\pi(2l+1/2)(n+1/2)/N)$$

40

$$= C_1 f(n) \sum_{l=0}^{N/2-1} y_{11}(l) \cos(2\pi(2l+1/2)(n+1/2)/N)$$

45

... (42)

If the equation (43)

50

$$u(n) = \sum_{l=0}^{N/2-1} y_{11}(l) \cos(2\pi(2l+1/2)(n+1/2)/N)$$

55

... (43)

is set, an equation (44)

$$\begin{aligned}
 5 \quad u(n+kN/(2K)) &= \sum_{j=0}^{K-1} \cos(2\pi k(4j+1)/(4K)) Q_{m,01}(j) \\
 10 \quad &+ \sum_{j=0}^{K-1} \sin(2\pi k(4j+1)/(4K)) Q_{m,02}(j) \\
 &\dots (44)
 \end{aligned}$$

15

holds from the equations (14), (15), (36), (37), (38) and (39), in the same manner as the equation (24).
 Since the equations (45) and (46)

20

$$u(n+N) = \sum_{l=0}^{N/2-1} y_{11}(l) \cos(2\pi(2l+1/2)(n+N+1/2)/N)$$

25

$$= \sum_{l=0}^{N/2-1} y_{11}(l) \cos(2\pi(2l+1/2)(n+1/2)/N + (4l+1)\pi)$$

30

$$= - \sum_{l=0}^{N/2-1} y_{11}(l) \cos(2\pi(2l+1/2)(n+N+1/2)/N)$$

35

$$= -u(n) \quad \dots (45)$$

40

$$u(N/2-1-n) = \sum_{l=0}^{N/2-1} y_{11}(l) \cos(2\pi(2l+1/2)(N/2-1-n+1/2)/N)$$

45

$$= \sum_{l=0}^{N/2-1} y_{11}(l) \cos(2\pi(2l+1/2)(N/2-n-1/2)/N)$$

50

$$= \sum_{l=0}^{N/2-1} y_{11}(l) \cos(2\pi(2l+1/2)(-N/2+n+1/2)/N)$$

$$= u(-N/2+n)$$

55

$$= -u(N/2+n) \quad \dots (46)$$

hold from the equation (43), the equation (47)

$$u(n+kN/(2K)) = \sum_{j=0}^{K-1} e_{k,j} Q_{m,c1}(j) + \sum_{j=0}^{K-1} f_{k,j} Q_{m,c2}(j)$$

5

$$0 \leq m \leq N/(2K)-1, 0 \leq k \leq K-1 \dots (47)$$

holds on comparison with the equation (41), so that it is seen that the IMDCT calculation may be realized with the method of the illustrated embodiment of the present invention.

10

It is noted that, as in the case of MDCT, the volume of the integration and summation operations of the equation (40) may be reduced to one half or to one quarter by taking advantage of the periodicity of the equation (16).

First, if equations (48)

15

$$\begin{aligned} S_{m,0}(j) &= Q_{m,01}(j) + Q_{m,01}(j + K/2) \\ S_{m,1}(j) &= Q_{m,01}(j) - Q_{m,01}(j + K/2) \\ T_{m,0}(j) &= Q_{m,02}(j) + Q_{m,02}(j + K/2) \\ T_{m,1}(j) &= Q_{m,02}(j) - Q_{m,02}(j + K/2) \\ 0 \leq j &\leq K/2 - 1 \quad (48) \end{aligned}$$

20

are set, an equation (49)

$$W_0(m+(2k+p)N/(2K)) = \sum_{j=0}^{N/2-1} e_{2k+p,j} S_{m,p}(j) + \sum_{j=0}^{N/2-1} f_{2k+p,j} T_{m,p}(j)$$

25

$$0 \leq m \leq N/(2K)-1, 0 \leq k \leq K/2-1, p = 0, 1 \dots (49)$$

holds, if the equations (26), (27) are used, so that the volume of integration and summation operations of the equation (40) may be reduced by one half.

30

On the other hand, if the equations (30), (31) are used, an equation (50)

35

$$u(n+(4k+p)N/(2K)) = \sum_{j=0}^{N/4-1} e_{4k+p,j} \sum_{q=0}^3 (\cos(pq\pi/2) Q_{m,01}(j+qK/4)$$

40

$$- \sin(pq\pi/2) Q_{m,02}(j+qK/4))$$

45

$$- \sum_{j=0}^{N/4-1} f_{4k+p,j} \sum_{q=0}^3 (\sin(pq\pi/2) Q_{m,02}(j+qK/4)$$

$$+ \cos(pq\pi/2) Q_{m,01}(j+qK/4))$$

50

$$0 \leq m \leq N/(2K)-1, 0 \leq k \leq K/4-1, p = 0, 1, 2, 3$$

$$\dots (50)$$

holds. Since one of sine and cosine values in the equation (50) is ≤ 1 , with the other value being 0, by setting so that, as shown in equation (51)

55

$$\begin{aligned} H_{m,0}(j) &= Q_{m,01}(j) + Q_{m,01}(j + K/4) + Q_{m,01}(j + 2K/4) + Q_{m,01}(j + 3K/4) \\ H_{m,1}(j) &= Q_{m,01}(j) + Q_{m,02}(j + K/4) - Q_{m,01}(j + 2K/4) - Q_{m,01}(j + 3K/4) \end{aligned}$$

$$\begin{aligned}
H_{m,2}(j) &= Q_{m,01}(j) - Q_{m,01}(j + K/4) + Q_{m,01}(j + 2K/4) - Q_{m,01}(j + 3K/4) \\
H_{m,3}(j) &= Q_{m,01}(j) - Q_{m,02}(j + K/4) - Q_{m,01}(j + 2K/4) + Q_{m,02}(j + 3K/4) \\
H_{m,0}(j + K/4) &= Q_{m,02}(j) + Q_{m,02}(j + K/4) + Q_{m,02}(j + 2K/4) + Q_{m,02}(j + 3K/4) \\
H_{m,1}(j + K/4) &= Q_{m,02}(j) - Q_{m,01}(j + K/4) - Q_{m,02}(j + 2K/4) + Q_{m,01}(j + 3K/4) \\
H_{m,2}(j + K/4) &= Q_{m,01}(j) - Q_{m,02}(j + 2K/4) + Q_{m,02}(j + 2K/4) - Q_{m,02}(j + 3K/4) \\
H_{m,3}(j + K/4) &= Q_{m,02}(j) + Q_{m,01}(j + K/4) - Q_{m,02}(j + 2K/4) - Q_{m,01}(j + 3K/4) \\
0 &\leq j \leq K/4 - 1 \quad (51)
\end{aligned}$$

and by using the equation (34), an equation (52)

$$W_0(m + (4k+p)N/(2K)) = \sum_{j=0}^{N/2-1} g_{4k+p,j} H_{m,p}(j)$$

$$0 \leq k \leq K/4 - 1, \quad p = 0, 1, 2, 3 \dots (52)$$

holds, so that the volume of the integration and summation operations of equation (40) may be reduced to a quarter.

It is seen from above that, with the method of the present invention, both MDCT defined by the equation (19 and IMDCT defined by the equation (3) may be realized by integration of a k number of terms and summation, so that outputting of an N/2 number of signals may be executed by

$$N * N/(2K) + 6N + KN/4$$

number of times of integration and summation operations and a

$$K * K/2 + N + N * N/(8 * K * K)$$

number of coefficient tables, so that the MDCT and IMDCT operations may be realized by a simpler hardware even although the number of times of the processing operations and the coefficient tables are increased as compared to the conventional method.

Returning to Figs.2 ff., a preferred embodiment for practicing the above-mentioned principle of the illustrated embodiment of the present invention is explained.

That is, a signal transforming device for MDCT (MDCT calculation circuit 30) of the illustrated embodiment comprises an x_{01} calculating circuit 33, as a forward transforming window unit for multiplying an input signal with a forward transforming window, and circuit components inclusive of an x_{02} calculating circuit 34 as a linear forward transforming unit for linear forward transforming an output signal of the x_{01} calculating circuit 34, and is adapted for processing an N number of samples of input signals. The linear forward transforming unit includes an x_{02} calculating circuit 34 and an x_{03} calculating circuit 35, as pre-processing units for pre-processing an output signal of the x_{01} calculating circuit 35, and an integration and summation circuit 40 for processing an output signal of the pre-processing unit with integration and summation operations. The integration and summation circuit 40 executes integration and summation on an N/2 number of the input signals supplied from the pre-processing unit. The integration is executed on each of a K number of terms of the input signals, grouped together as a processing unit for integration. The integration and summation operations are iteratively performed an N/(2*K) number of times for outputting a sum total of N/2 signals.

In a flow chart of Fig.4, the signal transforming sequence in the embodiment of Fig.2 for executing MDCT operations by the method of the present invention is shown. At a first step S1 in Fig.4, chronological sample data, such as PCM audio data, are grouped into blocks each made up of a predetermined number of, herein N samples. The blocks are set so that an overlap with neighboring blocks amounts to 50%, that is the neighboring blocks are overlapped by N/2 samples, as described in connection with Fig.1, and sample data of the respective blocks are multiplied by a forward transforming window W_h , as described in connection with Fig.1. These filtered N-samples of the chronological data x_{01} are modified at the next step S2 as shown by the equations (3) and (4) for transformation into an N/2 number of real number data x_{03} . At the next step S3, calculations shown by the equations (17) to (20), (29) and (31) are executed on x_{03} to find the N/2 number of spectral data x_0 which are outputted as MDCT output data.

The above-described transformation for MDCT is executed by a signal transforming device for MDCT of the present embodiment, an illustrative hardware for realizing the transformation for MDCT, shown in Fig.2. In the signal transforming device, shown in Fig.2, chronological sample data x_0 , stored in chronological sample buffer 32, is transformed by an MDCT calculating circuit 30 for executing the signal transforming method for MDCT into spectral data which is outputted at an output terminal 39.

Specifically, the MDCT calculating circuit 30 comprises an x_{01} calculating circuit 33 for executing a processing on the chronological sample data x_0 according to equation (2) to find the chronological data x_{01} , an x_{02}

calculating circuit for executing calculations according to equation (3) on the chronological data x_{01} to find data x_{02} , an x_{03} calculating circuit 35 for executing calculations according to equation (4) on the data x_{02} to find data x_{03} , and an integration and summation circuit 40 for executing calculations according to equations (17) to (20), equations (33) and (35) on the data x_{03} to find spectral data x_0 .

5 Specifically, the integration and summation circuit 40 comprises an $A_{m,01}$ calculating circuit 41 for executing a processing according to equation (17) using data x_{03} and an output of an X calculating circuit 46 as later explained to find data $A_{m,01}$, an $A_{m,02}$ calculating circuit 42 for executing a processing according to equation (18) using the data x_{03} and the output of the X calculating circuit to find data $A_{m,02}$, a $B_{m,01}$ calculating circuit 43 for executing a processing according to equation (19) to find data $B_{m,01}$, a $B_{m,02}$ calculating circuit 44 for executing
10 a processing according to equation (20) to find data $B_{m,02}$, a G_m calculating circuit 45 for executing a processing according to equation (33) using the data $B_{m,01}$ and data $B_{m,02}$ to find data G_m , and an x_0 calculating circuit 46 for executing a processing according to equation (35) to find spectral data x_0 .

Meanwhile, the x_{01} calculating circuit 33 as a forward transforming window unit, and the x_{02} calculating circuit 34, as a pre-processing unit for the linear forward transforming unit, may be grouped into one circuit.

15 A signal transforming device for IMDCT according to an embodiment of the present invention (IMDCT calculating circuit 50) comprises a linear inverse transforming unit for executing linear inverse transform on an input signal and an inverse transforming window unit for multiplying an output signal of the linear inverse transforming unit with an inverse transforming window, as shown in Fig.3, and is adapted for performing inverse transform operations on an $N/2$ number of independent input signals. The nonlinear inverse transforming unit
20 comprises a y_{11} calculating circuit 52 for pre-processing an input signal, an integration and summation circuit 60 for executing integration and summation on an output signal of the y_{11} calculating circuit 52, and a W_1 calculating circuit 56 for post-processing an output signal of the integration and summation circuit 60. The integration and summation circuit 60 executes integration and summation operations on the $N/2$ number of input signals supplied from the y_{11} calculating circuit 52 by grouping the input signal into groups each made up of K terms, and iteratively performs the operations $N/(2*K)$ times to output a sum total of $N/2$ number of signals. Meanwhile, in the example of Fig.3, the W_1 calculating circuit 56 is composed of the inverse transforming unit
25 and a post-processing unit of the linear inverse transforming unit.

In a flow chart of Fig.5, the signal transforming sequence in the embodiment of Fig.3 for executing IMDCT operations by the method of the present invention is shown. At a first step S11 shown in Fig.5, an $N/2$ number
30 of spectral data y_1 is processed by sign exchange and re-arraying as shown by equation (9) for being converted into an $N/2$ number of real number data y_{11} . At the next step S12, the real number data y_{11} are processed by processing operations in accordance with equations (32) to (35), (43) and (44) to generate an $N/2$ number of data W_0 . At the next step S15, the data W_0 are processed by transform processing as shown by equation (37) to find an N number of real number data W_1 .

35 The above-described transform operations for IMDCT and the transform processing for constructing chronological data from the output of the IMDCT transform operations are executed by a signal transforming device for MDCT of the present embodiment, an illustrative hardware for realizing the transformation for IMDCT, shown in Fig.3. The spectral data y_1 from input terminal 51 are multiplied by an inverse transform window by a chronological data buffer 57 and subsequently summed to IMDCT output data of both neighboring blocks by
40 an overlap addition circuit 58 before being outputted as chronological sample data at output terminal 59.

Specifically, the IMDCT calculating circuit 50 comprises a y_{11} calculating circuit 52 for executing calculations on the spectral data y_1 in accordance with the equation (9) to find data y_{11} , an integration and summation circuit 60 for executing calculations on data y_{11} in accordance with the equations (36) to (39), (51) and (52) to
45 find data W_0 , and a W_1 calculating circuit 56 for executing calculations on data W_0 in accordance with the equation (41) to find data W_1 .

On the other hand, the integration and summation circuit 60 comprises a $P_{m,01}$ calculating circuit 61 for executing calculations on the data y_{11} and an output of a W_0 calculating circuit 66 as later described to find data $P_{m,01}$, a $P_{m,02}$ calculating circuit 61 for executing calculations on the data y_{11} and the output of W_0 calculating
50 circuit 66 as later described to find data $P_{m,02}$, a $Q_{m,01}$ calculating circuit 64 for executing calculations on the data $P_{m,01}$ and $P_{m,02}$ in accordance with the equation (38) to find data $Q_{m,01}$, a $Q_{m,02}$ calculating circuit 64 for executing calculations on the data $P_{m,01}$ and $P_{m,02}$ in accordance with the equation (39) to find data $Q_{m,02}$, an H_m calculating circuit 65 for executing calculations on data $Q_{m,01}$ and $Q_{m,02}$ in accordance with equation (51) to find data H_m and a W_0 calculating circuit 66 for executing calculations on the data H_m in accordance with equation (52) to find data W_0 .

55 Referring to Fig.6, explanation is made of a concrete example of a high efficiency encoding device, to which MDCT as one of the above-described signal transforming operations of the illustrated embodiments is applied. The concrete high efficiency encoding device shown in Fig.6 makes use of techniques of sub-band coding, adaptive transform coding and adaptive bit allocation, That is, with the high efficiency encoding device, shown

in Fig.6, input digital signals, such as input PCM audio signals, are split into plural frequency bands so that the bandwidth becomes broader towards the higher frequency. The band-limited signals are processed by MDCT, a kind of orthogonal transform processing operations, for each frequency band, to generate frequency-domain spectral data, which are then encoded by adaptive bit allocation for each of so-called critical bands.

5 That is, referring to Fig.6, audio PCM signals in e.g. a range of from 0 to 20 kHz are supplied to input terminal 11. The input signals are split by a band-splitting filter 12, such as a so-called QMF filter, into a band of 0 to 10 kHz and a band of 10 to 20 kHz. the band of 0 to 10 kHz is split by a similar band-splitting filter 13, such as QMF filter, into a band of 0 to 5 kHz and a band of 5 to 10 kHz. The signals in the band of from 10 kHz to 20 kHz from band-splitting filter 13 are transmitted to the modified DCT (MDCT) circuit 14 of the illustrated embodiment for MDCT processing operations. Similarly, the signals in the band of 5 to 10 kHz and in the band of 0 to 5 kHz, supplied from the band-splitting filter 13, are transmitted to MDCT circuits 15, 16, respectively, for MDCT processing operations.

The spectral data on the frequency domain or coefficient data, generated by MDCT processing operations by the MDCT circuits 14 to 16, are grouped for each of the critical bands so as to be supplied to an adaptive bit allocation and encoding circuit 17.

15 Meanwhile, the critical band means a frequency band splitting system which takes human acoustic sense into consideration. That is, the critical band is a band of a narrow bandwidth noise which masks a pure tone having a frequency in the vicinity of that of the noise. The critical band becomes broader in bandwidth towards a higher frequency. The entire audible frequency range of from 0 to 20 kHz is split into e.g. 25 critical bands.

20 The adaptive bit allocation and encoding circuit 17 normalizes each of the spectral signals by a scale factor, that is a maximum value of the absolute values of the spectral signals contained in each critical band, from one critical band to another. The circuit 17 then re-quantizes the normalized spectral signals with a sufficient number of bits to mask the quantization noise by the critical band signals to output the re-quantized spectral signals along with the scale factor as found for each critical band and the number of bits employed for requantization. The data encoded in this manner are outputted via output terminal 18.

Referring to Fig.7, explanation is made of a concrete example of a high efficiency decoding device, to which IMDCT as one of the above-described signal transforming operations of the illustrated embodiments is applied.

Referring to Fig.7, the above-mentioned scale factor, the number of bits employed for requantization and requantized and encoded spectral signals are entered at input terminal 21 and spectral signals are generated by a spectral signal decoding circuit 22 from these input data. Of these spectral signals, the spectral signal in the ranges of 10 to 20 kHz, 5 to 10 kHz and 0 to 10 kHz are transformed into signal waveform data of the respective bands by IMDCT circuits 23, 24 and 25, respectively. Of these signal waveform data in the three frequency bands, the signal waveform data in the band of 0 to 5 kHz are combined with the signal waveform data in the band of 5 to 10 kHz by a band combining circuit 26 into signal waveform data in the band of 0 to 10 kHz which is then combined with the signal waveform data in the band of 20 to 20 kHz by a band combining circuit 27 into signal waveform data over the entire frequency range which is outputted at output terminal 28.

It should be noted that the present invention is not limited to the above-described embodiments. For example, the device of the present invention may be applied to a variety of transform encoding circuit or a decoder in addition to the high efficiency encoding/decoding device shown in Figs.6 and 7.

40 The forward transform calculations for modified DCT (MDCT) may be performed efficiently on an n number of chronological sample data sliced with 50% overlap with both neighboring blocks, using FFT with a length of $N/4$, for reducing the processing volume or work area for constructing a high efficiency encoding device for audio signals. Besides, inverse transform calculations for modified DCT (MDCT) may be performed efficiently on an $N/2$ number of independent spectral data using FFT with a length of $N/4$ for reducing the processing volume or work area for constructing a high efficiency decoding device for audio signals.

Claims

- 50 1. A modified DCT signal transforming device for processing an N number of sample input signals, comprising a forward transforming window unit for multiplying input signals with a forward transforming window and a linear forward transforming unit for linear forward transforming output signals of said forward transforming window unit, characterized in that said linear forward transforming unit comprises a pre-processing section for pre-processing the output signals of said forward transforming window unit and an integration and summation processing section for executing integrating and summation processing operations on output signals of said pre-processing section, said integration and summation processing section executing integration and summation processing operations on an $N/2$ number of input signals supplied from said pre-processing section, said $N/2$ number of the input signals being previously grouped into sets each

consisting of a K number of terms, said integration and summation operations being iteratively executed an $N/(2 \cdot K)$ number of times for outputting a sum total of $N/2$ number of signals.

2. The modified DCT signal transforming device as claimed in claim 1 wherein K in said integration and summation processing section is a power of 2 which is not less than 4.
3. The modified DCT signal transforming device as claimed in claim 1 wherein, with an N number of samples of input signals of from 0 to (N-1), obtained on multiplying the forward transforming windows in the forward transforming window section, the pre-processing unit outputs the $n+3N/4$ th input signal inverted in sign as the nth intermediate signal for n of from 0 to $N/4-1$, and an $n-N/4$ th input signal as the nth intermediate signal for n of from $N/4$ to N-1, and wherein, with an N number of samples of intermediate signals of from 0 to (N-1), the pre-processing unit outputs the 2n-th intermediate signal less the $N-1-2n$ -th intermediate signal as an nth output signal.
4. The modified DCT signal transforming device as claimed in claim 1 wherein the integration and summation processing unit decreases the number of times of the processing operations by grouping an $N/2$ number of input signals supplied from said pre-processing unit into sets each consisting of a K number of terms, based on periodicity, for outputting said $N/2$ number of the signals.
5. The modified DCT signal transforming device as claimed in claim 1 wherein said integration and summation processing unit performs, on an $N/2$ number of input signals supplied from said pre-processing unit, a series of processing operations for m of from 0 to $N/(2K)-1$ until the number of output signals becomes equal to $N/2$, said series of the processing operations consisting in providing, as a jth first intermediate signal, a sum for l of from 0 to $N/2-1$ of a product of the $(K+l+j)$ th input signal multiplied by $\cos(\pi(2m+1)(4K+1)(2N))$, for j of from 0 to K-1, providing, as a jth first intermediate signal, a sum for l of from 0 to $N/2-1$ of a product of the $(K(l-1)+j)$ th input signal multiplied by $\sin(\pi(2m+1)(4K+1)(2N))$, for j of from K to $(2K-1)$, providing, as a jth second intermediate signal, a sum of the jth first intermediate signal multiplied by $-\cos(2\pi(2m+1)(j/N))$ and the $(j-K)$ th first intermediate signal multiplied by $-\sin(2\pi(2m+1)(j/N))$, for j of from K to $K-1$, providing, as a jth second intermediate signal, a sum of the $(j-K)$ th first intermediate signal multiplied by $-\sin(2\pi(2m+1)(j-K)/N)$ and the jth first intermediate signal multiplied by $-\cos(2\pi(2m+1)(j-K)/N)$, for j of from K to $2K-1$, providing, as a k-th third intermediate signal, a sum of the jth second intermediate signal multiplied by $\cos(2\pi JK(4j+1)/(4K))$, for j of from 0 to $K-1$, providing, as the k-th third intermediate signal, a sum of the jth second intermediate signal multiplied by $\sin(2\pi k(4(j-K)+1)/(4K))$, for k of from K to $(2K-1)$, and providing, as a $(m+kN/(2K))$ th output signal, a sum of the k-th third intermediate signal and a $(m+Kn/(2K))$ th third intermediate signal, for k of from 0 to $K-1$.
6. The modified DCT signal transforming device as claimed in claim 5 wherein said integration and summation processing unit performs a processing operation of computing an output signal of the integration and summation processing unit from the second intermediate signal by a processing volume reduced by one half by grouping the second intermediate signals by each two terms by taking advantage of periodicity so that the number of output signals becomes equal to $N/2$.
7. The modified DCT signal transforming device as claimed in claim 5 wherein said integration and summation processing unit performs a processing operation of computing an output signal of the integration and summation processing unit from the second intermediate signal by a processing volume reduced by one quarter by grouping the second intermediate signals by each four terms by taking advantage of periodicity so that the number of output signals becomes equal to $N/2$.
8. A modified DCT signal processing device for processing an $N/2$ number of independent input signals, comprising a linear inverse transforming unit for linear inverse transform of input signals, and an inverse transforming window unit for multiplying an output signal of said linear inverse transform unit by an inverse transforming window,

said linear inverse transforming unit comprising a pre-processing unit for pre-processing an input signal, an integration and summation processing unit for executing an integration and summation processing operations on an output signal of said pre-processing unit, and a post-processing unit for post-processing an output signal of said integration and summation processing unit, said integration and summation processing unit executing the integration and summation operations on the $N/2$ number of input signals supplied from said pre-processing unit by grouping the input signal by a K number of terms, and executing the operations iteratively by $N/(2 \cdot K)$ number of times for outputting a sum total of an $N/2$ number

of signals.

9. The modified DCT signal transforming device as claimed in claim 8 wherein K in said integration and summation processing section is a power of 2 which is not less than 4.
- 5 10. The modified DCT signal transforming device as claimed in claim 8 wherein said pre-processing unit outputs a signal equivalent to a k-th output signal which is the 2k-th input signal for values of k of from 0 to N/4-1 and a signal equivalent to a k-th output signal which is the (N-1-2k)th input signal inverted in sign for values of k of from N/4 to N/2-1.
- 10 11. The modified DCT signal transforming device as claimed in claim 8 wherein said integration and summation processing unit decreases the number of times of processing operations for integration and summation processing of N/2 number of input signals supplied from said pre-processing unit based on periodicity for outputting said N/2 number of signals.
- 15 12. The modified DCT signal transforming device as claimed in claim 8 wherein said integration and summation processing unit performs, on an N/2 number of input signals supplied from said pre-processing unit, a series of processing operations for m of from 0 to N/(2K)-1 until the number of output signals becomes equal to N/2, said series of the processing operations consisting in providing, as a jth first intermediate signal, a sum for l s of from 0 to N/2-1 of a product of the (K+l)th input signal multiplied by $\cos(\pi(2m+1)(4K+1)/(2N))$, for j of from 0 to K-1, providing, as a jth first intermediate signal, a sum for l s of from 0 to N/2-1 of a product of the (K(l-1)+j)th input signal multiplied by $\sin(\pi(2m+1)(4K+1)/(2N))$, for j of from K to (2K-1), providing, as a jth second intermediate signal, a sum of the jth first intermediate signal multiplied by $-\cos(2\pi(2m+1)(j/N))$ and the (j-K)th first intermediate signal multiplied by $-\sin(2\pi(2m+1)(j/N))$, for j of from K to K-1, providing, as a jth second intermediate signal, a sum of the (j-K)th first intermediate signal multiplied by $-\sin(2\pi(2m+1)(j-K)/N)$ and the jth first intermediate signal multiplied by $-\cos(2\pi(2m+1)(j-K)/N)$, for j of from K to 2K-1, providing, as a k-th third intermediate signal, a sum of the jth second intermediate signal multiplied by $\cos(2\pi jk(4j+1)/(4K))$, for j of from 0 to K-1, providing, as the k-th third intermediate signal, a sum of the jth second intermediate signal multiplied by $\sin(2\pi k(4(j-K)+1)/(4K))$, for k of from K to (2K-1), and providing, as a (m+kN/(2K))th output signal, a sum of the k-th third intermediate signal and a (m+kN/(2K))th third intermediate signal, for k of from 0 to K-1.
- 20 25 30
13. The modified DCT signal transforming device as claimed in claim 12 wherein said integration and summation processing unit performs a processing operation of computing an output signal of the integration and summation processing unit from the second intermediate signal by a processing volume reduced by one half by grouping the second intermediate signals by each two terms by taking advantage of periodicity so that the number of output signals becomes equal to N/2.
- 35
14. The modified DCT signal transforming device as claimed in claim 12 wherein said integration and summation processing unit performs a processing operation of computing an output signal of the integration and summation processing unit from the second intermediate signal by a processing volume reduced by one quarter by grouping the second intermediate signals by each four terms by taking advantage of periodicity so that the number of output signals becomes equal to N/2.
- 40
15. The modified DCT signal transforming device as claimed in claim 8 wherein said pre-processing unit outputs a signal equivalent to an (n+N/4)th input signal for the value of n of from 0 to N/4-1, a signal equivalent to a 3N/4-1-nth input signal reversed in sign for values of n of from N/4 to 3N/4-1 and a signal equivalent to an n-3N/4th input signal reversed in sign for values of n of from 3N/4-1 to N/4-1.
- 45

50

55

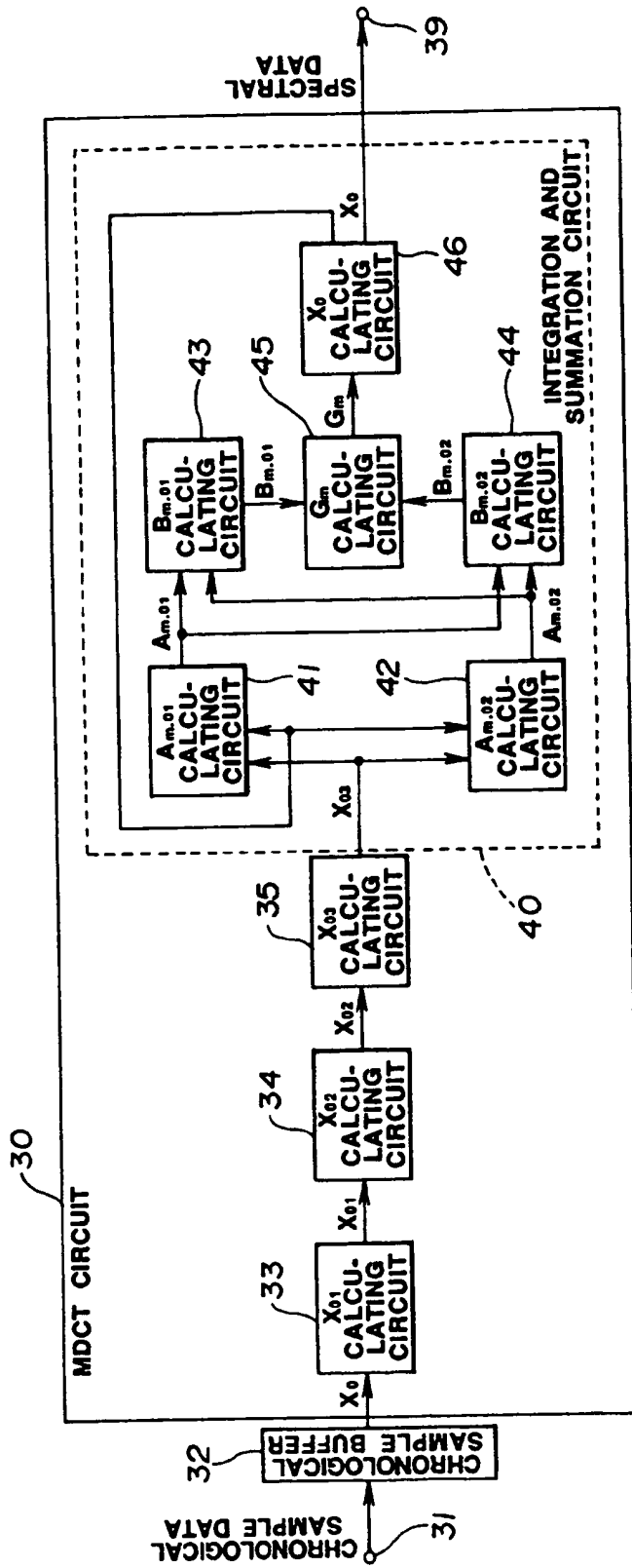


FIG.1

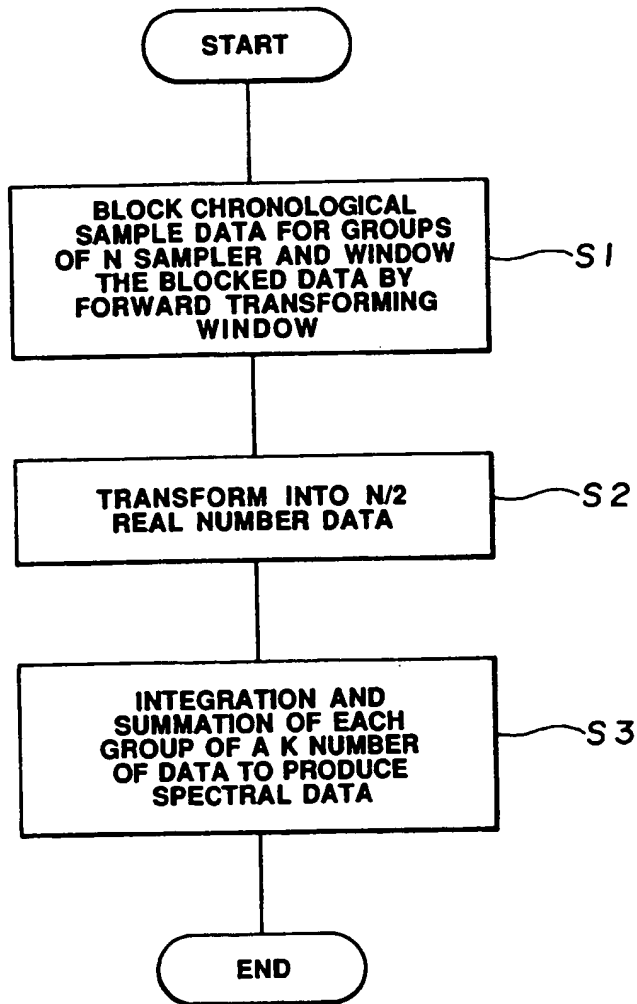


FIG.2

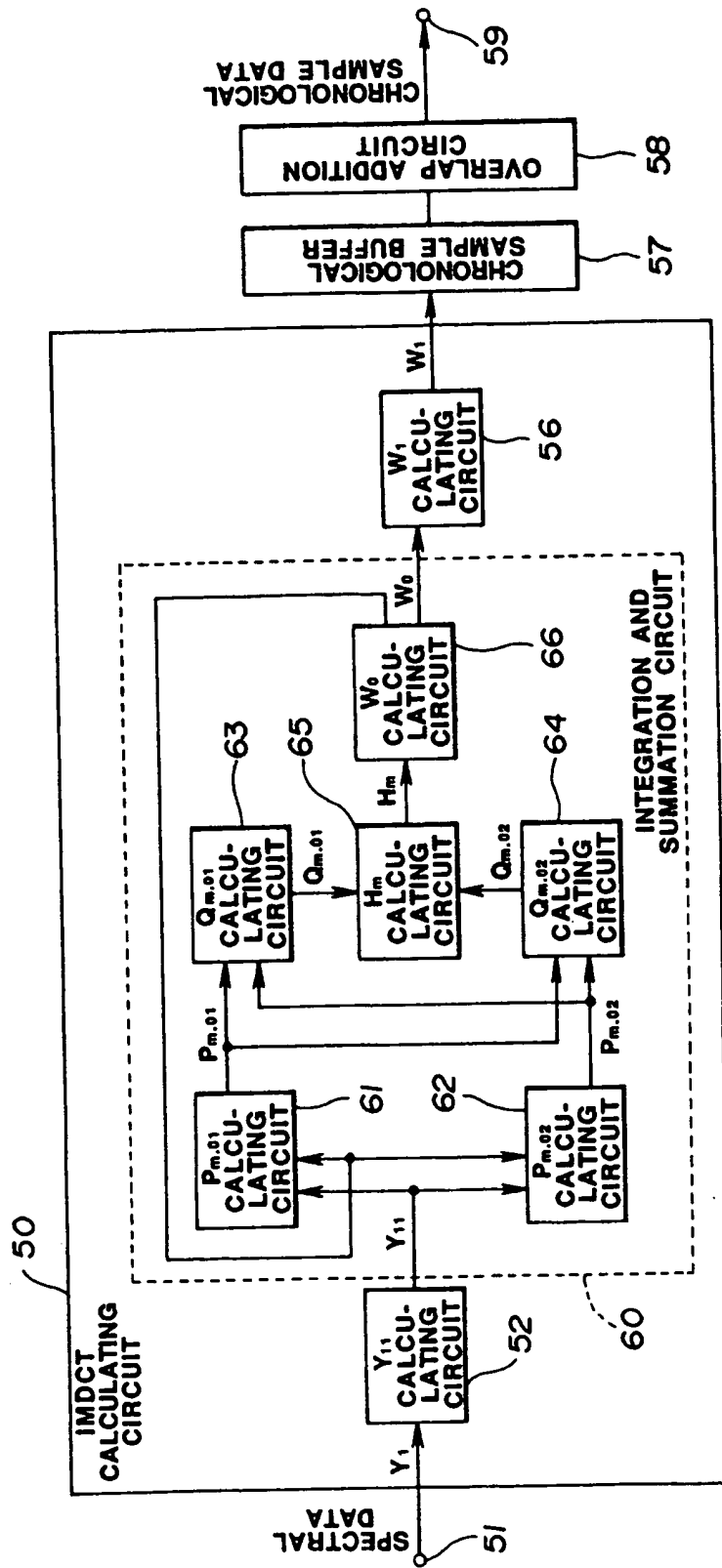


FIG.3

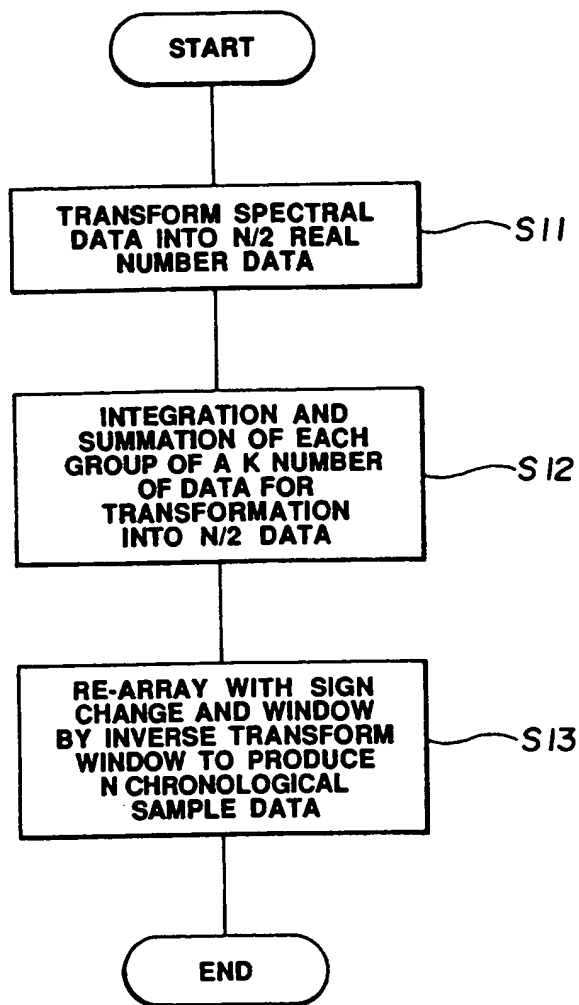


FIG.4

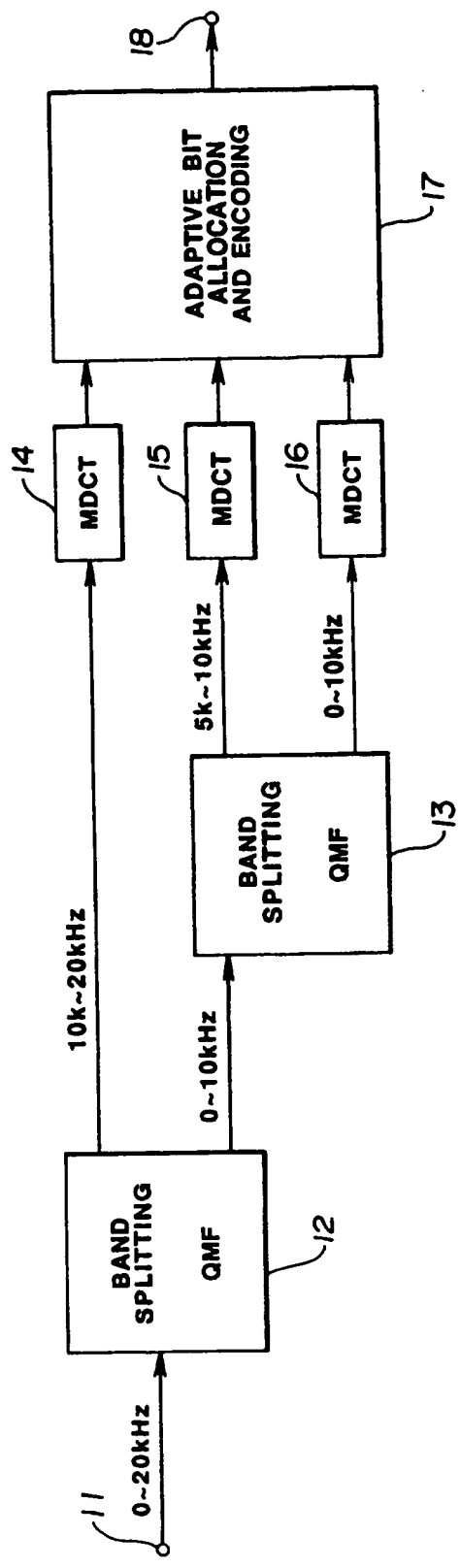


FIG.5

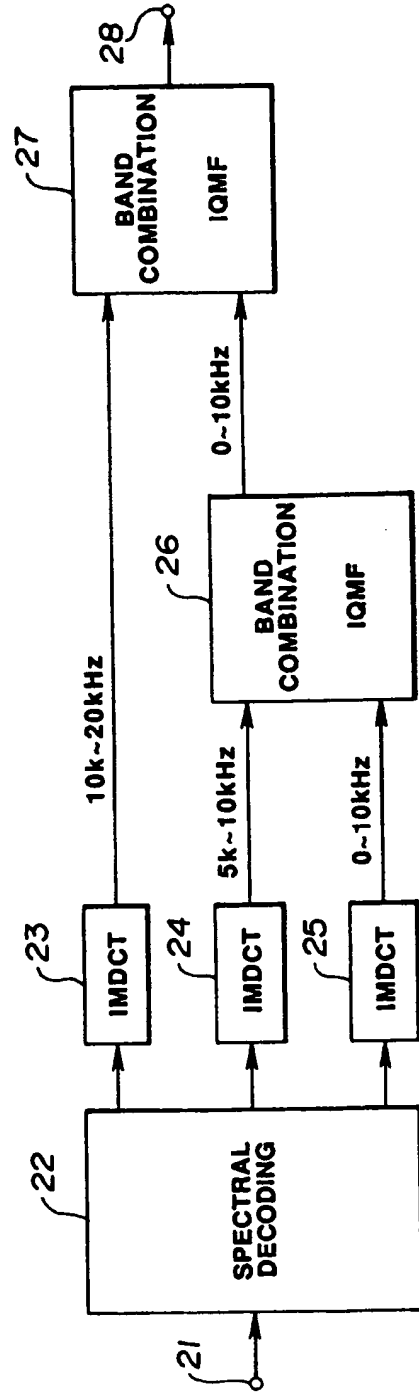


FIG.6

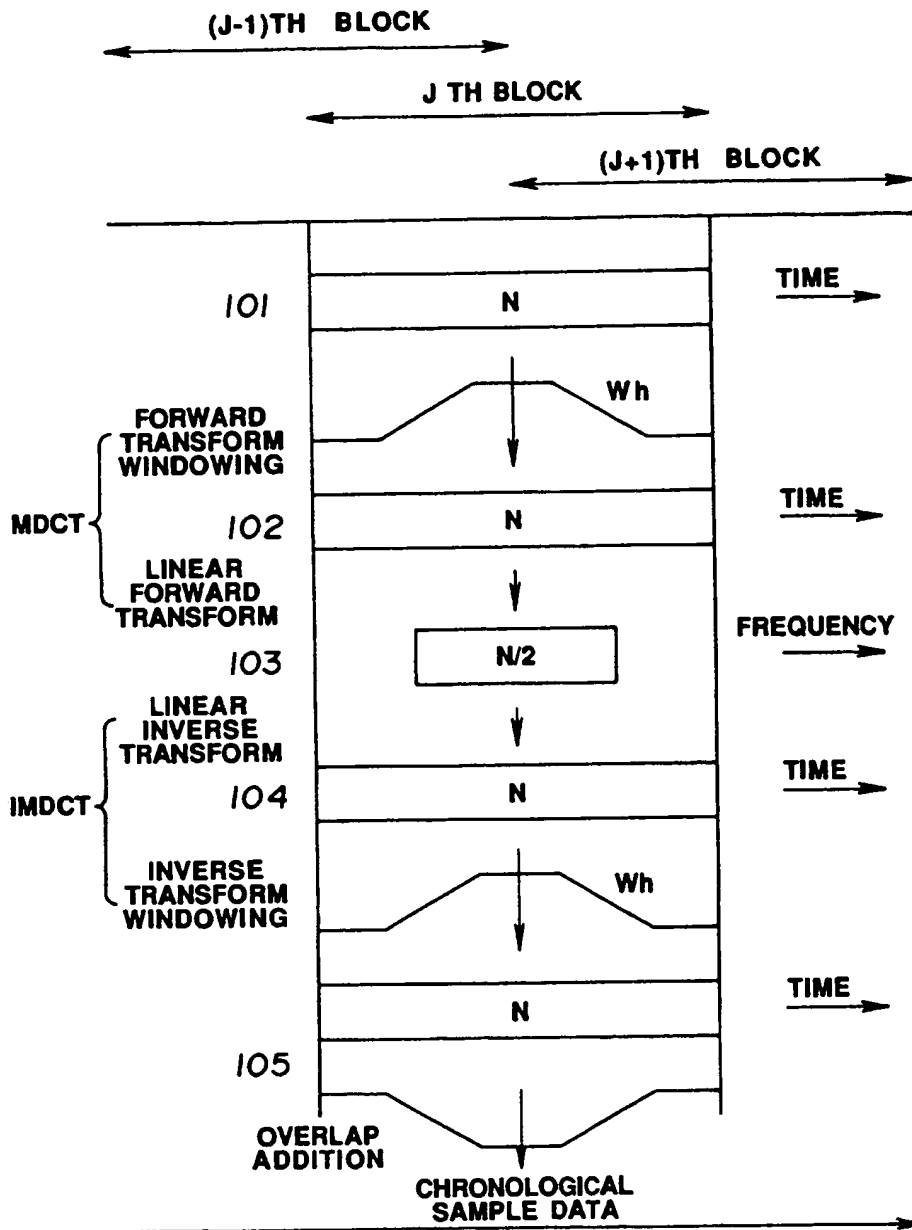


FIG.7